

## Technical Sheet For KNX Gateway for IR, Flush mounted, 2-Fold

BTIRF-02/00.2



The worldwide STANDARD for home and building control

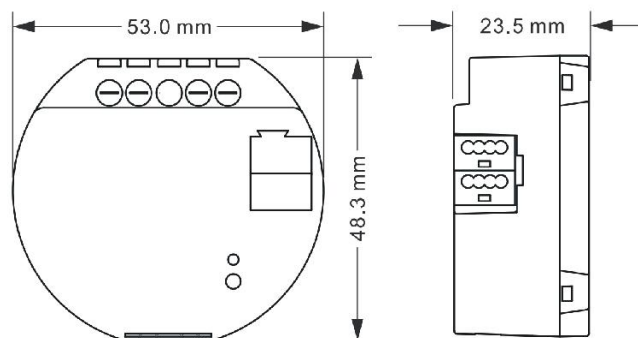
### CHARACTERISTICS

- Support Universal IR control, up to 30 IR code can be configured for per channel
- Support Air-condition control, up to 266 IR codes can be configured, control functions include: ON/OFF, temperature, mode, fan speed, swing
- Supports current detection, up to 10A, can be associated to the transmitting channel
- Supports up to 16 sequence control, each sequence supports up to 4 IR commands to be transmitted by step
- Support transmit with several times or delay time
- The transmitting distance is max.2m
- Download IR code to device via Configuration Tool or DCA before using

### PARAMETERS

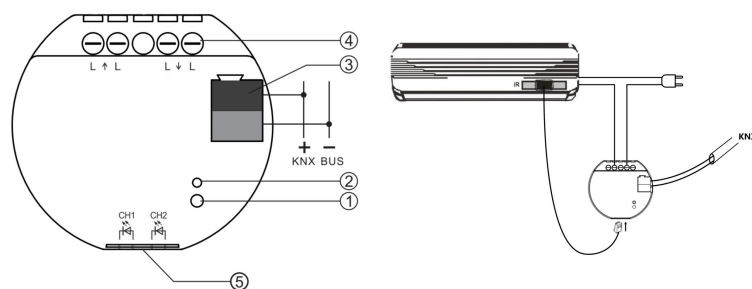
<b>Power Supply</b>	Bus voltage	21-30V DC, via the KNX bus
	Bus current	<6.5mA, 24V <6mA, 30V
	Bus consumption	<180mW
<b>Dynamic current</b>	Dynamic current	<9.5mA, 24V <8mA, 30V
	<b>Current Detection</b>	
<b>Current Detection</b>	Current detection range	50mA-10A
	Current detection accuracy	50mA-500mA ±20mA 500mA-10A ±5%
	<b>Output</b>	
<b>Output</b>	Channel	2 independent channels
	Max. transmitting distance	2m
	IR wavelength	940nm
	IR emission angle	<45°
<b>Connection</b>	KNX Load (For Current Detection)	Bus connection terminal  Screw terminals, Wire Range Multi-core 0.2-1.5mm <sup>2</sup> Single core 0.2-2.5mm <sup>2</sup> Torque 0.4N-m
	IR emitter extension cable	<10m
<b>Operation and display</b>	Programming button and Red LED	For assigning the physical address
	Green LED flashing	For displaying application layer running normally
<b>Temperature</b>	Operation	- 5 °C ... + 45 °C
	Storage	-25 °C ... + 55 °C
	Transport	- 25 °C ... + 70 °C
<b>Environment</b>	Humidity	<93%, except dewing

### DIMENSIONS



Model	Dimension	Weight
BTIRF-02/00.2	Φ53×23.5mm	0.04kg

### DESCRIPTIONS



- ① Programming LED
- ② Programming button
- ③ KNX bus connection terminal
- ④ Device load connection terminals, if require current detection
- ⑤ Connectors for Infrared emitter cable

### INSTALLATION FIGURE

The extremely compact design enables the device to be inserted in a conventional 80mm or 86mm wiring box. Must ensure that the device operation, testing, detecting, maintenance correctly.

When install, please note the IR detector of the Transmitter must be installed in areas that the IR device can detect normally, to avoid no action.

Please note: the IR detector of Remote Controller should try to near and align the IR detector of the learner (within 3cm) while learning, in order to avoid failure to learn.

### IMPORTANT INFORMATION

Installation and commissioning of the device may only be carried out by trained electricians. The relevant standards, directives, regulations and instructions must be observed when planning and implementing the electrical installation.

- Protect the device against moisture, dirt and damage during transport, storage and operation!
- Do not operate the device outside the specified technical data (e.g. temperature range)!
- The device may only be operated in closed enclosures (e.g. distribution boards)

Should the device become soiled, it may be cleaned with a dry cloth. If this does not suffice, a cloth lightly moistened with soap solution may be used. On no account should caustic agents or solvents be used.

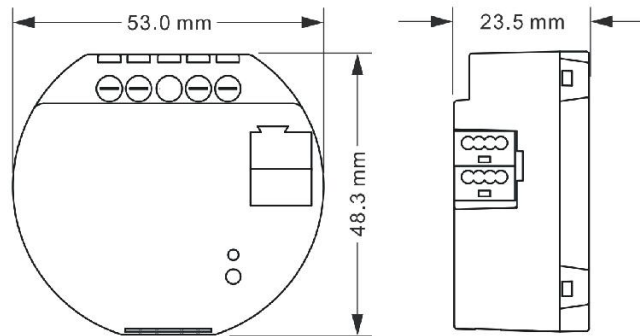
## 2 路嵌入式红外发射器技术规格书

适用型号：  
BTIRF-02/00.2

国际标准的家庭和楼宇控制系统



### 尺寸规格

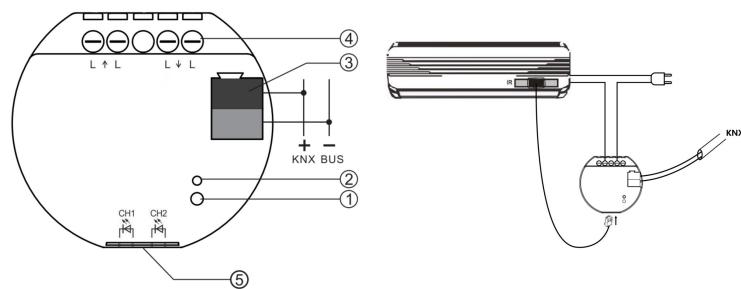


型号	尺寸	重量
BTIRF-02/00.2	Φ53×23.5mm	0.04kg

### 产品功能

- 支持普通红外控制，每通道最多支持 30 个红外码配置
- 支持空调控制，最多可配置 266 个红外码，控制功能包括：开关控制、温度控制、模式控制、风速控制、扫风控制
- 支持高达 10A 的电流检测功能，可关联到发射通道
- 支持最多 16 个序列控制，每个序列支持最多 4 个红外命令绑定发送
- 支持多次发射和延时发射
- 支持发射距离 2m
- 使用前需在配置软件工具或 DCA 上将红外码下载到设备

### 接线图



- ① 编程 LED
- ② 编程按键
- ③ KNX 总线连接端子
- ④ 负载连接端子，用于电流检测
- ⑤ 红外发射管接线座

### 技术参数

电 源	总线电压	21-30V DC, 由 KNX 总线提供
	总线电流	<6.5mA, 24V <6mA, 30V
	总线功耗	<180mW
	动态电流	<9.5mA, 24V <8mA, 30V
电流检测	电流检测范围	50mA-10A
	电流检测精度	50mA-500mA ±20mA 500mA-10A ±5%
	通道	2 个独立通道
输 出	最大发射距离	2m
	红外波长	940nm
	红外发射角度	<45°
	连 接	KNX
操作和指示	负载 (电流检测)	螺丝接线柱连接,线径多芯 0.2-1.5mm <sup>2</sup> 单芯 0.2-2.5mm <sup>2</sup> , 扭力矩 0.4N·m
	红外探头延长线	<10m
	编程按键和红色 LED	编程物理地址
温 度	绿色 LED 闪烁	指示设备应用层运行正常
	运行	- 5 °C ... + 45 °C
	存储	-25 °C ... + 55 °C
	运输	- 25 °C ... + 70 °C
环 境	湿度	<93%, 结露除外
安 装	嵌入式安装在 80mm 或 86mm 接线盒内	

### 安装说明

此设备设计紧凑，因此能被安装在一个传统的 80mm 或 86mm 接线盒中。安装时必须确保设备操作、测试、检测、维护、维修正确无误。

安装时，注意发射器的红外探头必须安装在红外遥控设备能正常感应的范围之内，以免无动作。

在红外学习过程中，遥控器的红外探头应该尽量靠近对准学习器的红外探头（3cm 以内），以防学习失败。

### 重要提示

安装和调试设备只能由合格的熟练电工来操作。在计划与实施电气安装的过程中相关的标准、指令、规则和指示都要严格执行。

- 需要避免器件在运输、储存、使用的过程中受潮、脏污以及受损。
- 不要使器件运行在指定的技术指标之外（例如温度范围）。
- 器件只可以运行在封闭的环境中（例如接线盒）。

当设备脏污时，只可以使用干燥的布来清洁。如果这样不足以清洁干净，可以使用湿布蘸少许肥皂溶液轻轻擦拭。绝不能使用碱剂或者腐蚀性溶剂。