



XR:LINE Analog Audio Extender

Receiver

Article number: 500042

EAN: 4260393850941

Customs code: 85198100



Back



Front

The trivum audio extender devices are professional solutions to transmit audio signals over long distances using standard network cables.

The trivum XR:LINE is an audio receiver with analog outputs. In combination with the optionally available XT:LINE or XT:DIGITAL, you can e.g. transmit the sound of a TV or CD player by using of a CAT cable to the equipment room. There, the trivum XR-LINE receiver then passes the audio signal on to an amplifier or multi-room system. If the source or a control device provides a trigger signal, this signal is passed on to the receiver.

The trivum Audio Extender solution has the following advantages compared to direct connections (simple adapters or adapters with galvanic isolation):

Bis zu 300 Meter

The active symmetrical transmission of the signals (audio + trigger + power supply) is the basis of the trivum Audio Extender solution.

Interference-free

The symmetrical audio transmission minimizes interference noises caused by interference in the cable route. Due to its advantages, this complex technical solution is standard in many studios today.

Hum-free

The active galvanic isolation of the transmitter and receiver means that there can be no hum loop caused by potential differences.

Neutral sound

Contrary to the the solution using passive galvanic isolation with transformers, the transformerless digital isolators in the trivum solution is tonally better, because transformers change the sound by clipping the frequency response and adding distortion. The isolators and OP-Amps used in the active trivum extenders are technically far superior to the passive solution.

No delay

Contrary to the products that work over IP networks, the trivum solution has no delay. IP solutions (radio or cable) have to digitize the audio signal, then transfer the data in packets over the network, then reassemble them in a buffer in order to finally convert them into an audio signal. That takes too long to e.g. transmit TV sound lip-synchronously.

Trigger signal

A trigger signal is transmitted potential-free from the transmitter to the receiver. The voltage is adjusted to 12V. The trigger input reacts with high resistance to voltages between 5V and 24V. The trigger signal is then available at the receiver with a load capacity of 12V / 80mA.

Easy placement

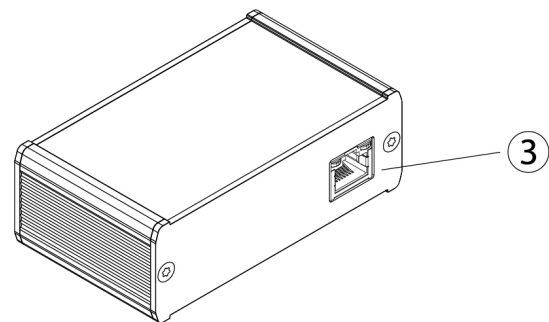
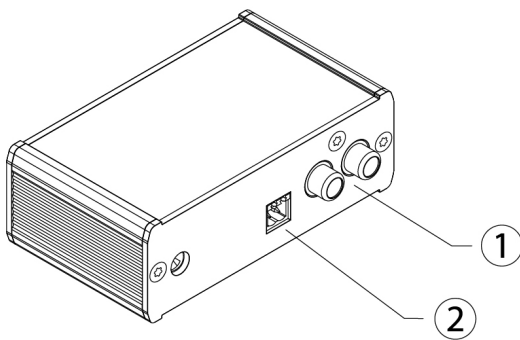
Contrary to the passive galvanic isolation using transformers, the trivum solution is not magnetically susceptible to interference. Therefore, the adapter can be placed anywhere, including in the area of power supplies.



Technical data

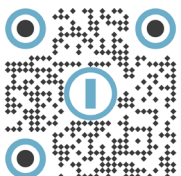
Article number: 500042
EAN: 4260393850941
Customs code: 85198100

Connections (input)	1x RJ45 (1x audio bus with CAT 5/6/7 cable up to 300m) 1x socket for DC barrel plug (power supply)
Connections (output)	2x RCA (1x analog stereo L / R) 1x 2-pin socket with terminal block
Operating temperatur	0°C to 50°C
Operating voltage	12-15V (connect power supply either to the transmitter or to the receiver)
Power consumption	at 12V 65mA
Trigger Output	5-24V DC / AC voltage
Casing	aluminum
Color	Black
Dimensions (WxDxH)	95x55x32mm
Weight	0.116kg
Scope of supply	1x trivum XR:LINE analog audio receiver 4x self-adhesive rubber feet (black) 1x 2-pole terminal block for trigger output Note:: There is no 15V power supply included Note:: There is no XT:LINE / XT:DIGITAL Audio Transmitter included



1 Analog Stereo Line Outut
2 Trigger Output

3 Audiobus Input



As of 08/2021. We reserve the right to make misprints, mistakes and changes in the case of product progress, even without prior notice.

trivum technologies GmbH
Eierstrasse 48
70199 Stuttgart
Tel.: +49 (0)711 64 56 07-10
Fax: +49 (0)711 64 56 07-16
info@trivum.com