

Technical Sheet For KNX Smart Touch V50s

CHTF-5.0/15.5.2x

(x=1: Classic black; x=2: Celestial Silver)

The worldwide STANDARD for home and building control

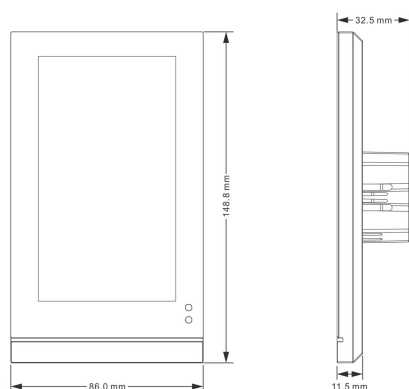
CHARACTERISTICS

- 5 inch colour IPS, 480x854 resolution, capacitive touch screen
- Support vertical or horizontal display via ETS
- With switching, dimming, curtains control, scene, value send and switch indicator
- Room temperature control, Air conditioner, Floor heating and Ventilation System
- Audio control
- RGB, RGBW, RGBCW control and colour temperature setting
- Air quality display, with PM2.5, AQI, CO2, VOC etc.
- Energy Metering display, with current, voltage, power, energy.
- 16 Time functions, 8 Scene Group functions
- 8 Logic functions, with AND, OR, XOR, Gate forwarding, Threshold comparator, Format convert, Delay function and Staircase lighting
- Proximity sensor, Screen brightness setting, Colorful strip indication, Touch vibration feedback
- Time and Date display, Temperature and Humidity display, Day/Night status send
- Password protection, Screen saver and Panel block
- Alarm function, Human Centric Lighting(HCL), Built-in temperature sensor
- Main page navigation function
- Weekly timer, support to edit on screen

PARAMETERS

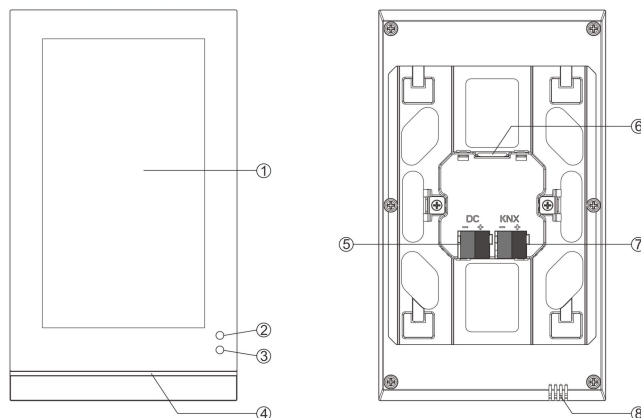
Bus supply	Bus voltage	21-30V DC, via KNX bus
	Bus current	6mA/24V DC, 5mA/30V DC
	Bus consumption	<150mW
Auxiliary supply	Voltage	24-30V DC
	Current	<125mA/24V DC, <100mA/30V DC
	Consumption	<3W
Connections	KNX	Bus connection terminal
	Auxiliary supply	KNX auxiliary connection terminal
Installation	In a conventional 80mm or 86 mm wiring box	
Temperature	Operation	- 5 °C ... + 45 °C
	Storage	-25 °C ... + 55 °C
	Transport	- 25 °C ... + 70 °C
Proximity sensor	Approximately 30cm	

DIMENSIONS




Model	Dimension	Weight
CHTF-5.0/15.5.2x	Panel: 86 x 148.8 x 11.5mm (32.5mm)	0.3kg

DESCRIPTIONS



- ① Touch and display area
- ②③ Proximity sensor
- ④ Colorful strip
- ⑤ Auxiliary supply connection terminal
- ⑥ SD card slot
- ⑦ KNX bus connection terminal
- ⑧ Internal temperature sensor

Note: The programming of the physical address needs to be entered into the setting interface of the screen. Click the icon  on the screen to enter the setting interface, then click "General para." to enter the general parameter setting interface. Here you can set "KNX programming" item, and turn the programming mode on or off via the switch button on the right. When the programming mode is turned on, the Colorful strip lights red. After exiting the programming mode, the Colorful strip returns to the indication that is configured via parameters.

INSTALLATION FIGURE

KNX Smart Touch V50s can be installed in a conventional 80mm or 86 mm wiring box. It requires not only KNX bus powered, but also requires a 24- 30V DC auxiliary power supply. It is available to assign the physical address by engineering design tools ETS with .knxprod (higher than edition ETS 5.7). Must ensure that the device operation, testing, detecting, maintenance correctly.

Touch panel should be installed approximately 120~140cm above the floor and 15~20cm from the door frame.

Touch panel must not be exposed to direct contact with liquids.

IMPORTANT INFORMATION

Installation and commissioning of the device may only be carried out by trained electricians. The relevant standards, directives, regulations and instructions must be observed when planning and implementing the electrical installation.

- Protect the device against moisture, dirt and damage during transport, storage and operation!

- Do not operate the device outside the specified technical data (e.g. temperature range)!

Should the device become soiled, it may be cleaned with a dry cloth. If this does not suffice, a cloth lightly moistened with soap solution may be used. On no account should caustic agents or solvents be used.

KNX 智能触摸面板 V50s 技术规格书

适用型号:

CHTF-5.0/15.5.2x

(x=1: 经典黑; x=2: 流光银)

国际标准的家庭和楼宇控制系统

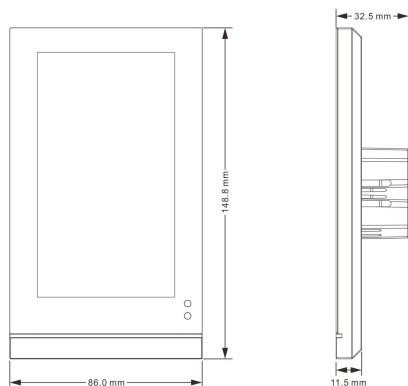
产品功能

- 5 寸彩色 IPS, 分辨率 480x854, 电容触摸屏
- 支持 ETS 设置竖屏和横屏显示
- 具有开关、调光、窗帘、场景、自定义值发送、开关指示功能
- 温控功能、空调控制、地暖控制、新风系统控制
- 背景音乐模块控制
- RGB、RGBW、RGBCW 控制和色温调节
- 空气质量传感器检测值显示, 包括 PM2.5、AQI、CO2、VOC 等
- 能源监测值显示, 包括电流、电压、电源和能源
- 16 个定时功能、8 个场景组功能
- 8 个逻辑功能, 支持与、或、异或, 逻辑门转发, 阈值比较器, 不同数据类型的转换, 延迟功能, 楼梯灯功能
- 靠近感应功能、屏亮度调整、彩色灯条指示、触摸震动反馈
- 时间和日期显示, 及温湿度显示, 白天/夜晚信号输出
- 具有密保、屏保和锁屏功能
- 报警功能、人本照明控制 (HCL)、内置温度传感器
- 主页导航功能
- 周定时, 支持在屏幕上设置

技术参数

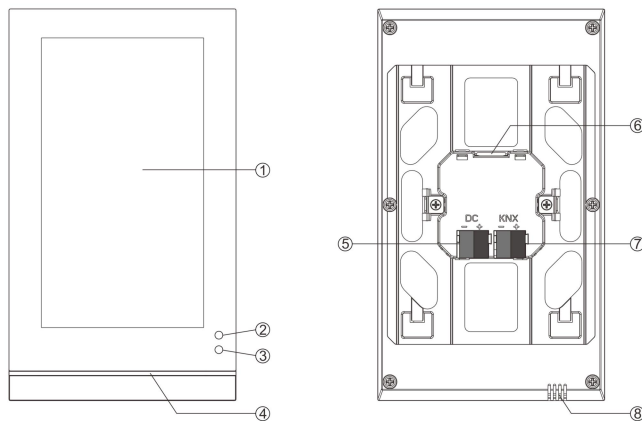
总线电源	总线电压	21-30V DC 通过 KNX 总线获得
	总线电流	6mA/24V DC, 5mA/30V DC
	总线功耗	<150mW
辅助电源	电压	24-30V DC
	电流	<125mA/24V DC, <100mA/30V DC
	功耗	<3W
连接	KNX	总线连接端子 (直径 0.8 mm ²)
	辅助供电	KNX 辅助供电端子 (黄/白)
安装	安装方式	标准 80 盒或 86 盒墙装方式
温度范围	运行	-5 °C ... +45 °C
	存储	-25 °C ... +55 °C
	运输	-25 °C ... +70 °C
靠近感应距离	约 30cm	

尺寸规格




型号	尺寸	重量
CHTF-5.0/15.5.2x	面板: 86 x 148.8 x 11.5mm (32.5mm)	0.3kg

接线图



- ① 触摸与显示区域
- ②③ 靠近检测: 用于靠近感应
- ④ 彩色灯条
- ⑤ 辅助供电连接端子
- ⑥ SD 卡槽
- ⑦ KNX 总线连接端子
- ⑧ 内置温度传感器

注: 物理地址的编程模式需要进入触摸屏的设置界面开启。点击屏上图标  进入设置界面, 然后点击“通用参数”, 进入通用参数设置界面, 此界面可以看到“KNX 编程”项, 通过右边的开关按钮开启或关闭编程模式, 开启编程模式后, 彩色灯条亮红色。退出编程模式后, 彩色灯条回到正常的指示, 彩色灯条正常模式下的指示由参数配置。

安装说明

KNX 智能触摸面板 V50s, 安装在标准的墙式 80 盒或 86 盒中, 它不仅需要 KNX 总线供电, 而且还需要一个 24-30V DC 的辅助电源供电。参数的设置和物理地址的分配可以使用带有 .knxprod 文件的工程设计工具软件 ETS (版本 ETS 5.7 或以上)。安装时必须确保辅助供电和总线连接正常、设备工作正常。

建议触摸面板安装距地面大约 120~140cm 高度的位置和距门框水平距离 15~20cm 的位置。

触摸面板不允许安装在与液体直接接触的地方。

重要提示

安装和调试设备只能由合格的熟练电工来操作。在计划与实施电气安装的过程中相关的标准、指令、规则和指示都要严格执行。

- 需要避免器件在运输、储存、使用的过程中受潮、脏污以及受损。
- 不要使器件运行在指定的技术指标之外 (例如温度范围)。

当设备脏污时, 只可以使用干燥的布来清洁。如果这样不足以清洁干净, 可以使用湿布蘸少许肥皂溶液轻轻擦拭。绝不能使用碱剂或者腐蚀性溶剂。