

Further documentation and troubleshooting

To find helpful log files in support cases:

- Open the Music Center WebConfig.
- Click *Logs & Warnings*.

Please visit also our website for the latest documentation, videos and information:

<http://www.trivum.com>

<http://service.trivum.com>

If support is needed

Please contact your local trivum dealer or write to:

service@trivum.com

Download links:

trivum ServerAdmin Tool (Windows):

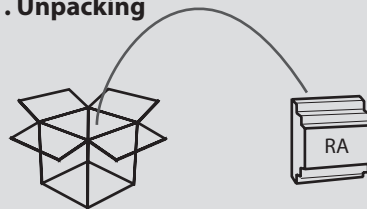
<http://service.trivum.com/win-admintool>

How to update your trivum v8 to v9?

<http://service.trivum.com/v9-update>

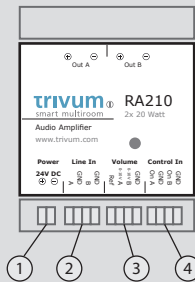
v2_201603 - Errors and specifications subject to change without notice.

1. Unpacking



2. Mounting

- 1 Power
- 2 Line In (ext. Audio)
- 3 Volume (0-10 V Control)
- 4 Control In (5-24 V)

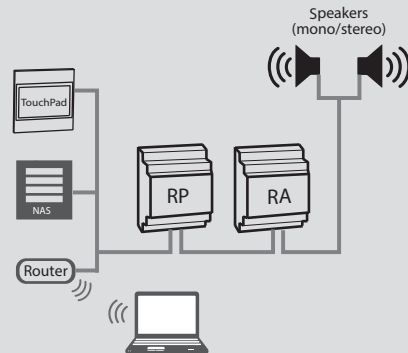


3. Configuration

Different configuration possibilities:

- Stereo
 - Mono (Dim Actuator or potentiometer)
- See wiring on back page

Combinable with other trivum products like trivum REG, trivum TouchPad or trivum Speakers.



trivum®

smart multiroom

We add music to your home

Quick Installation Guide for RA210 / RA410



trivum technologies GmbH

Eierstraße 48

70199 Stuttgart

info@trivum.de

www.trivum.com

www.facebook.com/trivumtechnologies

Quick Installation Guide for RA210/RA410

Required components for installation:

- 24 V DC power supply with at least 2 A
- speakers with 4 or 8 Ohms impedance

1. Mounting and connection

1.1 Mount the RA210/RA410 on a 35 mm DIN-rail.

1.2 Connect cables to audio speakers (check polarity) and power supply.

⚠ **Warning: Wrong polarity may damage the device!**
Double check power cable polarity before connecting!

2. Operating modes

There are two different modes to operate the RA210/RA410: mono and stereo.

Operating mode: Mono

In this mode both channels work separately. The power amp switches on when

- the switching voltage at *Control In* is between 5 - 24 V
- the voltage at the *Volume* input is ≥ 1 V.

Operation mode: Stereo

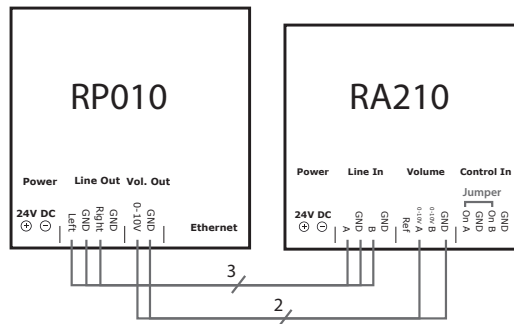
In this mode both channels are connected via a wire jumper between *Control In On A* and *On B*. In result, the volume is controlled via the *Volume Input A (0-10V)*.

3. Configuration*

The RA's offers many configuration possibilities. In the following, three common configurations are described.

Stereo configuration

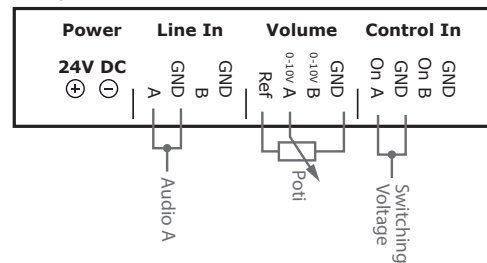
In this configuration the RA210 is connected to another trivium device (in this example: RP010). The volume of the RA210 is operated via the *Volume Output* of the RP010.



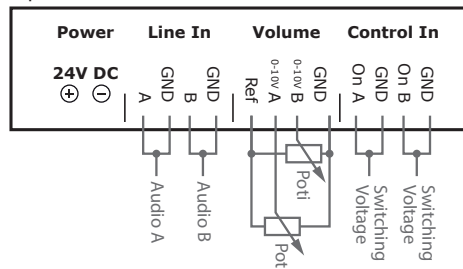
Mono configuration with poti

In this configuration the volume is operated via a potentiometer (poti).

Example: Mono Channel A

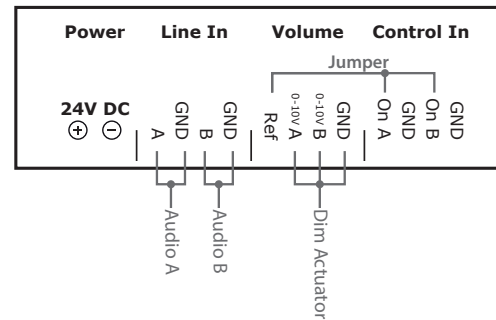


Example: Dual Mono Channel A/B



Mono configuration with Dim Actuator

In this configuration the volume is operated via a Dim Actuator (not included). The Input *Ref* is connected to both channels.



Note:
Input *Ref* = 10 V DC LCO