



USER MANUAL

for iRoom's iBezel



iRoom's
iBezel

Next Generation iPad® docking station



Find more on www.iroomsibel.com



iRoom
intelligente Technik

Introduction:

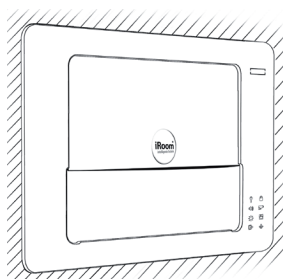
Thank you for purchasing the iRoom's iBezel inwall docking station with programmable Quick Access key buttons.

This USER MANUAL is designed to guide you through the hardware installation and initial software configuration.

The warranty terms are also included in this USER MANUAL.

For details on configuring iRoom's iBezel, to download the TCP-interface description, latest drivers, latest FAQ's or USER MANUAL in other languages, please visit: www.iroomsiBezel.com

Package content:



iRoom's iBezel



3 x 45 Screws (4)



Icon sheet (1)



Adhesive base (1)



3 x 20 Screws (4)



Cable tie (1)

Installation Requirements:

Following products and tools are mandatory for proper installation:

- installed iRoom's Backbox (mandatory)
 - operation without iRoom's Backbox voids warranty!
- prepared wiring
- Philips screwdriver PH2
- wire stripper and cutter

Default Codes for iRoom's iBezel:

Access Code: iBezel
TouchCode PIN: 1234

please change Access Code & TouchCode PIN during installation and start-up to avoid unauthorized iPad withdrawal.



IMPORTANT:

All installation works need to be executed by a qualified electrician in accordance with national electrical codes and regulations.



WARNING:

TO AVOID FIRE, SHOCK OR DEATH:
Turn off power at the circuit breaker or fuse before in stalling.



NOTE:

Wiring colors may be different from the illustration. Be sure to verify the wiring before continuing.



CLEANING:

The product has a smooth and shiny surface which is prone to scratches. Handle with care.



Electrical security:

An easily accessible, all-pole disconnecting device is required in the power supply circuit.
Recommended overcurrent protective device in the mains power circuit: 6 A

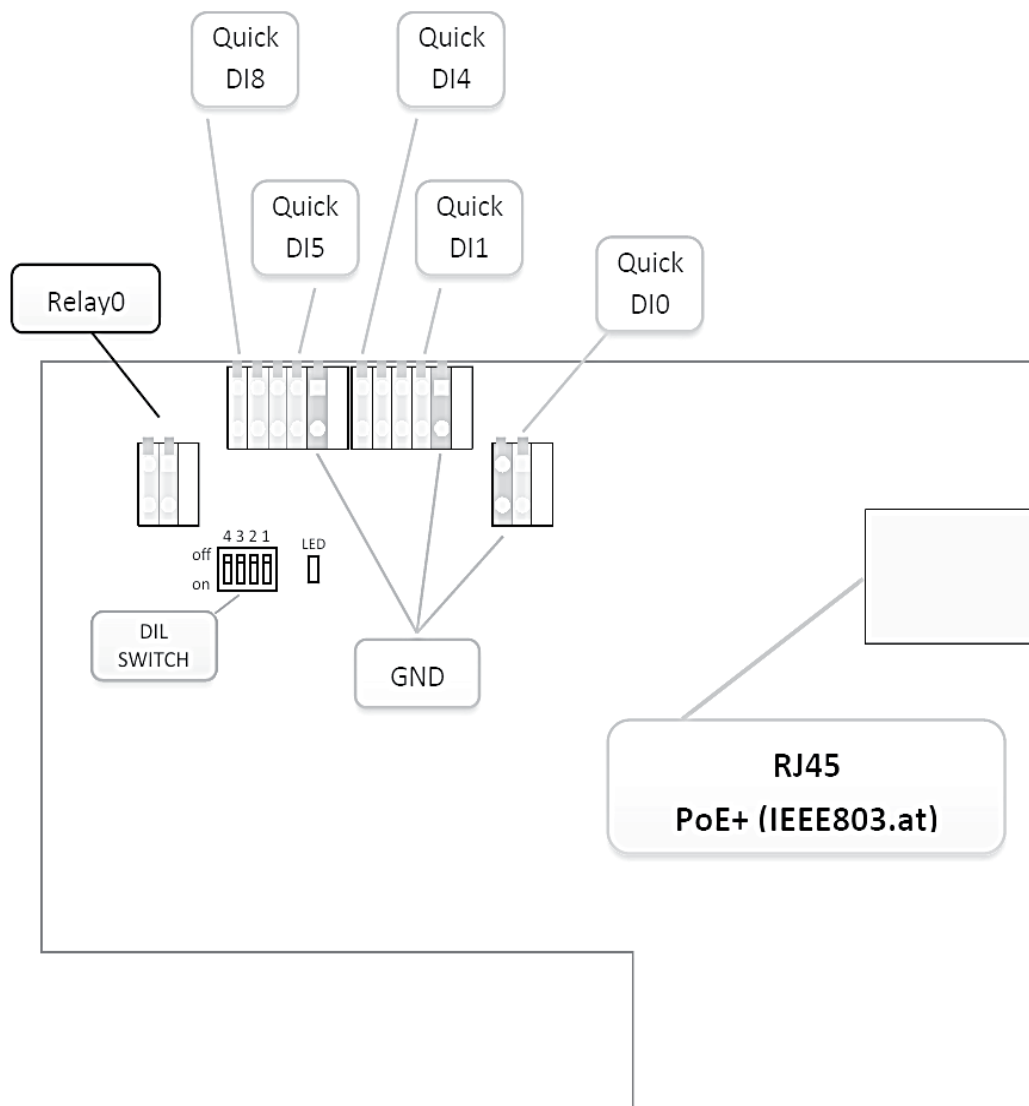
NOTICE

Further documents regarding the product/installation/operation can be found under:

www.iroomsibezel.com

Main Board Feature Overview:

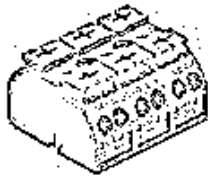
Before installation please become familiar with the main PCB of your iRoom's iBezel:



Power Supply Options:

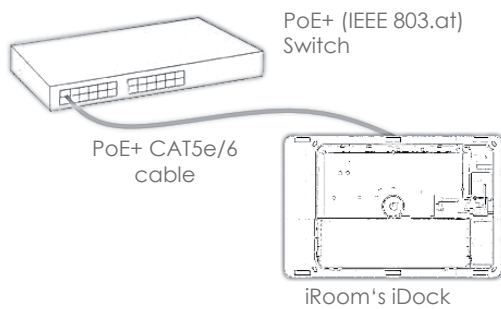
Following options are available to power iRoom's iBezel

Option 1: 110-240V AC



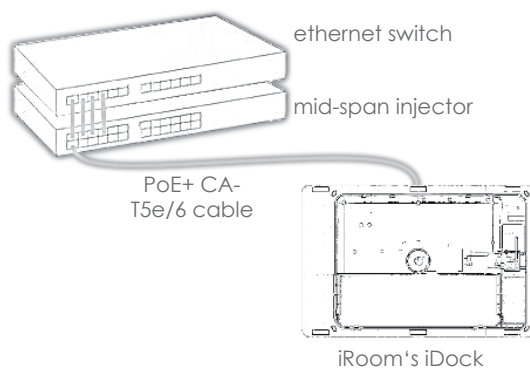
connect regular 110-240V AC wiring to designated terminal clamps on the back side of iRoom's iDock.

Option 2: PoE+ IEEE 803.at¹ switch



connect PoE+ Switch to iRoom's iDock to establish power and data connection.

Option 3: Regular switch with PoE+¹ mid-span injector



connect PoE+ Switch to iRoom's iDock to establish power and data connection.

¹ Operation with Standard-PoE (IEEE 803.af) is possible with limitation in charging current and restrictions in iPad operation. 24/7-operation of an iPad docked will empty iPad battery. To avoid emptying battery please enable iPad power saving mode and reduce display brightness.

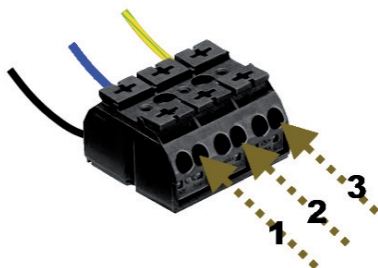
24/7-operation of an iPad docked powered by PoE (IEEE 803.af) can not be can not be guaranteed.

If you're going to supply your iRoom's iBezel by using a standard PoE (IEEE 803.af) Injector/switch please enable DIL Switch #2 prior to installation / power supply.

To locate the DIL switch please refer to chapter „Main Board Feature Overview“.

Option I: Connecting 110-240VAC

Connect the wires to the connector according color-code:



cable coloring:

number	europaean standard color code	us standard color code	naming
1	black	black	hot (L)
2	blue	white	neutral (N)
3	yellow/green	green	ground (PE)

This information is supplied without liability.

Specifications:

iRoom's iBezel	
Type	iBezel-5-b / iBezel-5-w
Dimensions	W x H x D 351.9 / 226.4 / 68.2 mm or 13.9" / 8.9" / 2.7"
Power Supply	100-240VAC; 50/60Hz; 0,35A; POE+ (44-57VDC; 0,6A)
LAN	10Mbps/100Mbps
Communication	TCP / status & control
Function Description	Store & charge iPad, supply with remote LAN control functions
Digital inputs / digital outputs	9 DI (contact closure) / 1 DO (relay; 30VDC, 1A / 125VAC, 0.3A)
iBezel - Intelligent Glass Bezel	8+1 touch buttons (with customizable icons) / 1 motion sensor
Audio out	stereo analog, 3.5 mm audio jack
Operating Temperature	0 - 35°C or 32 - 95°F
Operating Humidity	20% - 90% RH non-condensing

Relay & Terminals	
Relay0 Contact rating (resistive)	30VDC, 1A / 125VAC, 0.3A
Terminal specifications (9 x DI / 1 x DO)	26-20 AWG / 0.13-0.52MM ²

Restoring the Default Configuration and Password:

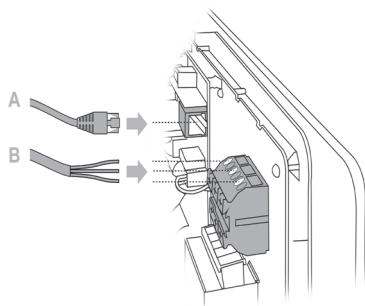
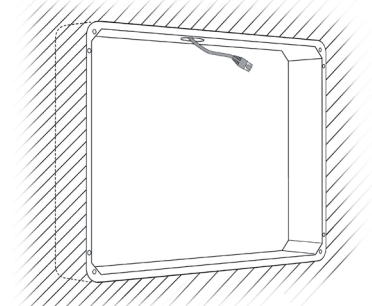
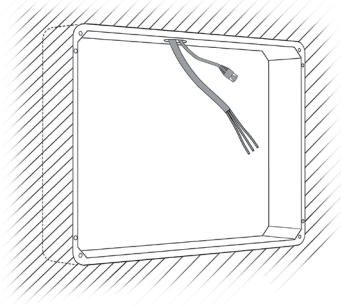
You can restore factory defaults in two ways:

- Use the „restore to factory settings“ function of the iRoom's iDock iOS-App
 - Access-Code is required
- Use the Default Reset DIL Switch#1 on the rear panel of the router:
 - Power off your iRoom's iDock
 - Switch DIL#1 to ON
 - Power on your iRoom's iDock and wait until LED is flashing quickly.
 - Power off your iRoom's iDock
 - Switch DIL#1 to OFF
 - Restore process finished.

To locate the DIL Switch please refer to chapter „Main Board Feature Overview“.

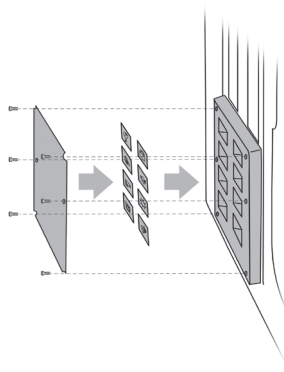
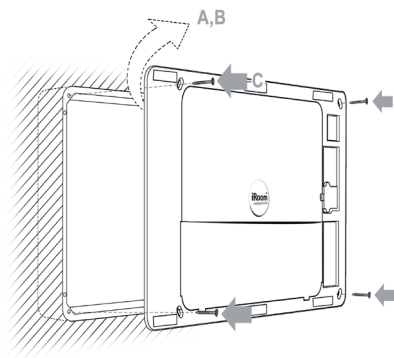
Option I: LAN & 240V AC

Option II: PoE+ (IEEE 803.0t)



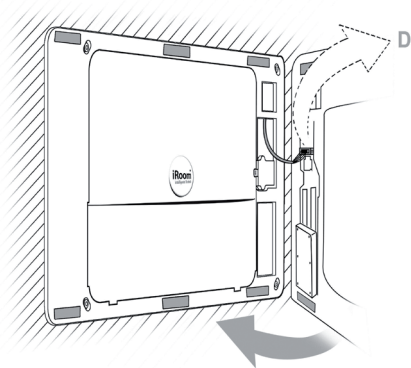
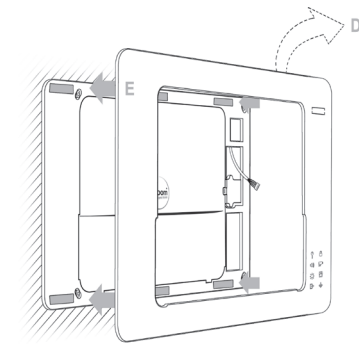
1

2



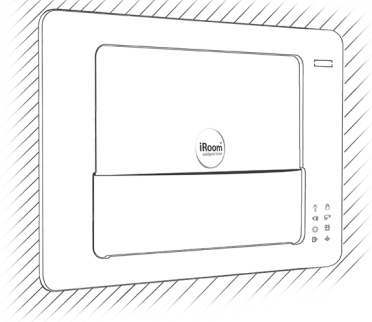
3

4



5

6





USER MANUAL

for iRoom's iBezel

Basic Network Configuration:

To configure iRoom's iBezel access it via a docked iPad using the free iOS App „iRoom's iDock“.

Default IP : 192.168.0.100
Default Access-Code : iBezel
Default TouchCode PIN : 1234

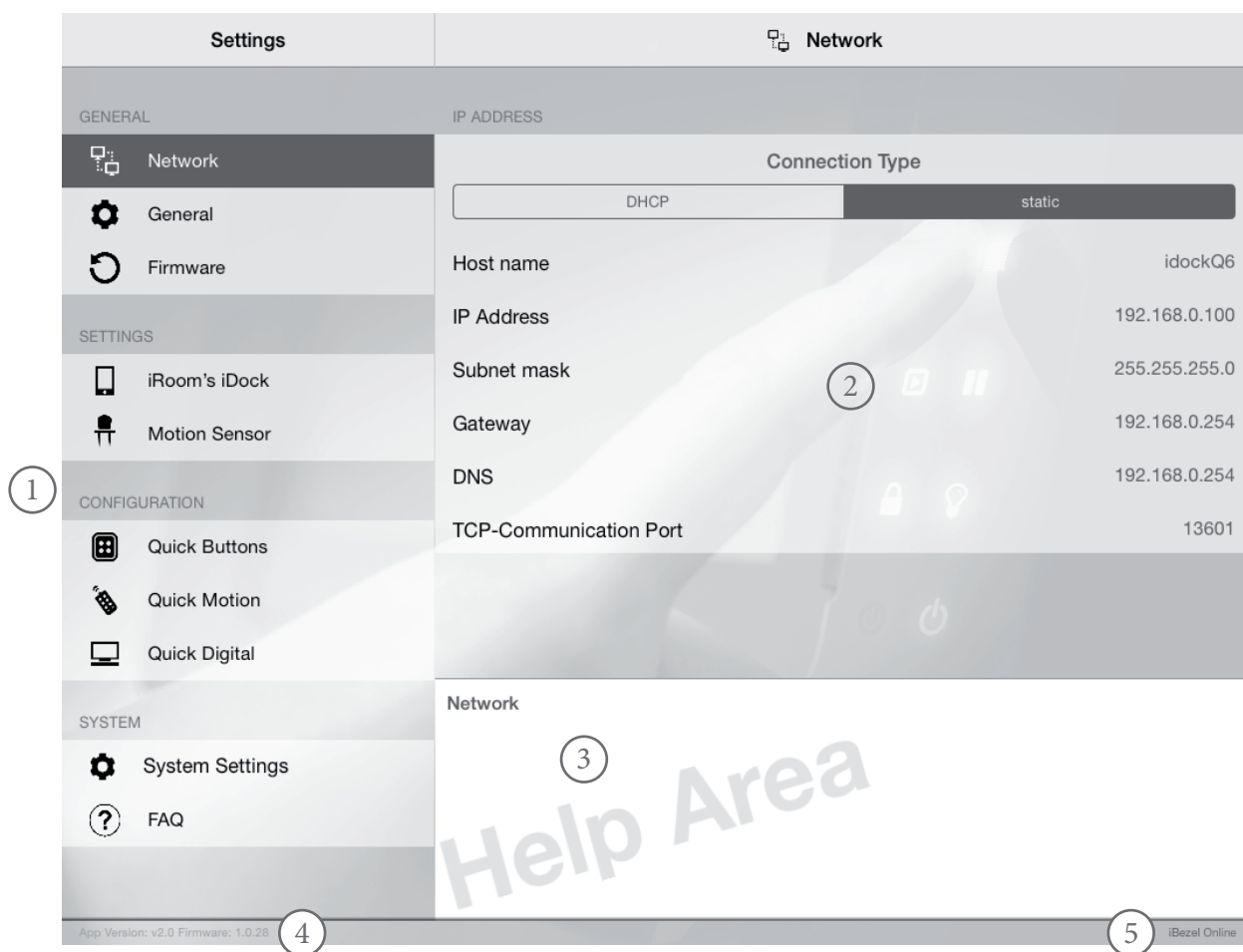
iOS App Store & App „iRoom's iDock“

- Open iOS App store and search for App „iRoom's iDock“
- Install App „iRoom's iDock“
- Open App „iRoom's iDock“
- Dock the iPad into iRoom's iDock
- Verify status „online“

For additional details on the iRoom's iDock App, please refer to the „inApp Help“ and the inApp FAQ area.

iOS App Store & App „iRoom's iDock“

For additional details on the iRoom's iDock App, please refer to the „inApp Help“ and the inApp FAQ area.



①	MAIN MENU	Main Function Selection Area
②	SUB MENU	Setting Adjustment and Configuratio Area
③	inApp HELP AREA	Touching text in Sub-Menu shows affiliated help
④	App & Firmware Version	Displays App Version number and Firmware Version installed at your iDock (if comm. status is online)
⑤	Communication Status	Displays iBezel Communication status (online/offline)



USER MANUAL

for iRoom's iBezel

Electrical Safety Information:

1. Compliance is required with respect to voltage, frequency, and current requirements indicated on the manufacturer's label. Connection to a different power source than those specified may result in improper operation, damage to the equipment or pose a fire hazard if the limitations are not followed.
2. There are no operator serviceable parts inside this equipment. Service should be provided only by an authorized service technician.
3. The equipment requires the use of the ground wire as a part of the safety certification. Modification or misuse can provide a shock hazard that can result in serious injury or death.
4. Contact a qualified electrician or the manufacturer if there are questions about the installation prior to connecting the equipment.
5. A readily accessible disconnecting means and overcurrent protection device must be used outside the device.

Protective bonding must be installed in accordance with local national wiring rules and regulations.

Protection against theft:

iRoom's iBezel does not provide any protection against theft. Unauthorized forceful removal of a tablet cannot be prevented. iRoom GmbH does not accept any liability for the theft of a tablet!

IT-Security:

In order to the open and unsecured communication protocol used by the iRoom's iBezel the user is responsible to ensure proper network security to avoid unauthorized LAN Control of the iRooms iDock.

Limited warranty:

iRoom GmbH warrants that the product(s) furnished hereunder (the "Product(s)") shall be free from defects in material and workmanship for a period of two (2) years from the date of purchase made by the original end-customer or for a period of 3 years from the date of shipment by iRoom GmbH under normal use and operation.

iRoom's GmbH sole and exclusive obligation and liability under the foregoing warranty shall be for iRoom GmbH, at its discretion, to repair or replace any Product that fails to conform to the above warranty during the above warranty period. The expense of removal and reinstallation of any Product is not included in this warranty. The warranty period of any repaired or replaced Product shall not extend beyond its original term.



USER MANUAL

for iRoom's iBezel

Returns:

No Products will be accepted for replacement or repair without obtaining a Return Materials Authorization (RMA) number from iRoom GmbH or during the warranty period, and the Products being received at iRoom GmbH facility freight prepaid in accordance with the RMA process of iRoom GmbH. Products returned without an RMA number will not be processed and will be returned freight collect or subject to disposal.

Information on the RMA process and obtaining an RMA number can be found at: www.iroomsiBezel.com/support/warranty.

Warranty conditions:

The above warranty does not apply if the Product:

1. has been modified and/or altered, or an addition made thereto, except by iRoom GmbH, or iRoom GmbH' authorized representatives, or as approved by iRoom GmbH in writing;
2. has been painted, rebranded or physically modified in any way;
3. has been damaged due to errors or defects in cabling;
4. has been subjected to misuse, abuse, negligence, abnormal physical, electromagnetic or electrical stress, including lightning strikes, or accident.
5. has been damaged or impaired as a result of using third party firmware;
6. has no original serial number label, or is missing any other original label(s);
7. has not been received by iRoom GmbH within 30 days of issuance of the RMA.

In addition, the above warranty shall apply only if: the product has been properly installed and used at all times in accordance, and in all material respects, with the applicable Product documentation;



USER MANUAL

for iRoom's iBezel

FCC Compliance Statement

This equipment has been tested and found to comply with the limits for a Class B digital device, pursuant to part 15 of the FCC Rules.

RoHS/WEEE Compliance Statement:



This symbol was placed in accordance with the European Union Directive 2002/96 on the Waste Electrical and Electronic Equipment (the WEEE Directive). If disposed of within the European Union, this product should be treated and recycled in accordance with the laws of your jurisdiction implementing the WEEE Directive.

Declaration of Conformity

Hereby, iRoom GmbH, declares that this iRoom GmbH device, is in compliance with the essential requirements and other relevant provisions of Directive 1999/5/EC.

Subject to changes at any time. The technical details and specifications do not equate to any form of guarantee. All products mentioned protected by international copyright and patent laws.



iPad is a trademark of Apple Inc., registered in the U.S. and other countries.

www.iroomsibezel.com

© 2010-2015 iRoomGmbH. All rights reserved.