

thinknx

Installation sheet

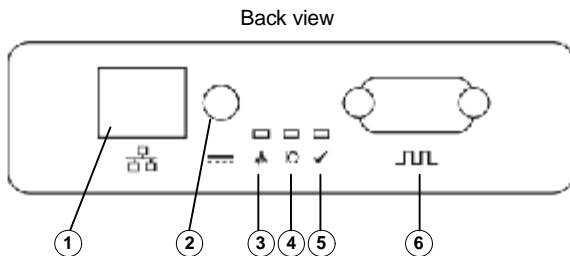
Package checklist

- ThinKnx server
- Power adapter
- Network patch cable
- Bus terminal connector
- Installation sheet (this document)

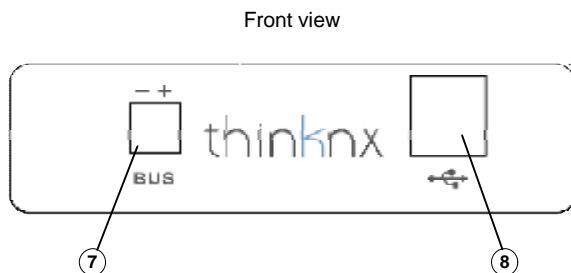
Technical data

- Power input: 12-18 VDC – 1A Max
- Power consumption: max. 6Watt
- Operating temperature: 0°C / + 50°C
- Protection type: IP20
- CE approved
- Made in Italy

Connectors and LED indicators



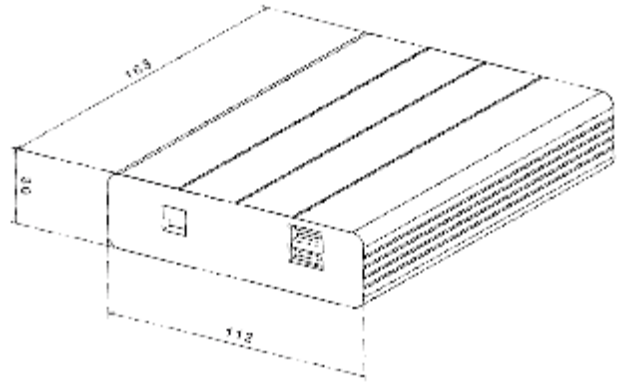
- 1 – Ethernet port
- 2 – Power supply connector
- 3 – Server system LED indicator (flashes when the system is booting and running)
- 4 – KNX activity LED indicator (flashes when KNX telegram is received)
- 5 – Server ready LED indicator (litted when server is fully operational)
- 6 – Serial port



- 7 – EIB/KNX connector (respect polarity)
- 8 – USB Ports

Use only supplied connector to connect with the KNX bus.
Remove power from server during electrical connections.

Dimensions: (mm)



Installation

thinknx server must be installed in compliance with electrical installation rules for your country.
Server must be installed in not dusty place, not subject to water infiltration; should not be placed near a source of heat or in direct contact with the Sun.

First configuration

Main configuration of the server is via web console.
To reach web console an internet browser must be used (Firefox or Chrome is recommended). Please write the following address into browser address bar:

http://< ip-address >: 5051

where ip-address is the one taken by the server.
To login for the first time use following credentials:

Username: service
Password: password

To find the IP address of the server a search utility is available and can be downloaded from www.thinknx.com
Server is configured to use DHCP. If DHCP fails server will acquire address:

192.168.0.200

Please check ThinKnx website for additional information



Go Paperless!
Manuals are online

Thinknx server installation sheet – V. 1.2
www.thinknx.com

Recycle with us!

