

miniDock backbox

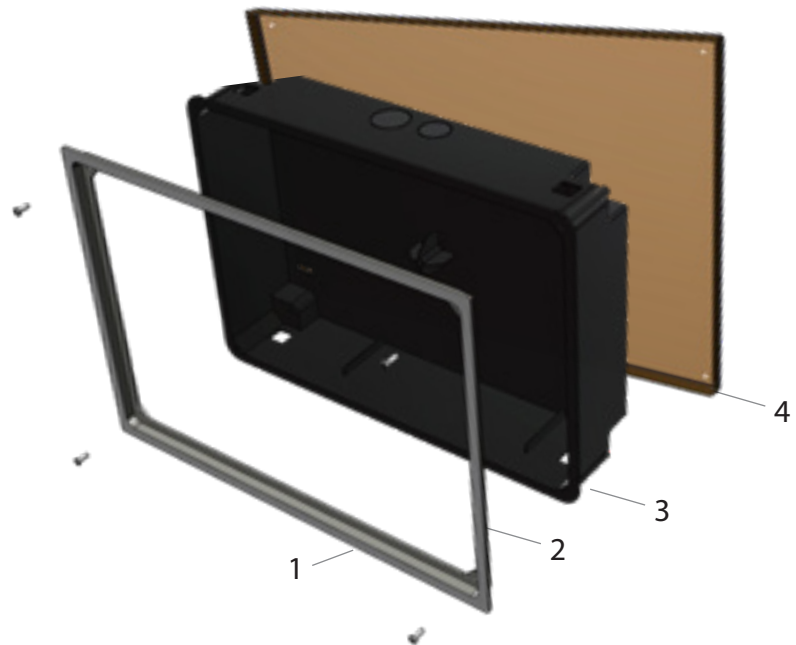
General information

Room's Minidock can be installed both vertically and horizontally. iRoom's minidock is only compatible with the iPad mini. For an iPad installation, we recommend our iRoom's iDock.

During installation of the backbox (flush-mounted housing) the installer must execute an installation without deformation. Swelling mounting mediums should be avoided to minimize the risk of deformation. During installation the protective card has to be placed into the backbox.

Description of function

The iRoom miniDock may only be used with the flush-mounted backbox. Operation without the backbox will void the warranty. Misuse of the backbox is prohibited.



Recess dimensions backbox (W/H/D): 215,0 / 305,0 / 75,0 mm 8.46" / 12.00" / 2.95"

Mounting in Masonry

1. Attach the cardboard frame (4) to the backbox (3) and bolt them together with the included mounting screws (1) (3 x 20mm)
2. Prepare a recess in the wall (W/H/D: 8.46" / 12.00" / 2.95")
3. Remove the break-out for the cable exits on the backbox
4. Feed in the power leads through the hole in the back box. Use a suitable cable grip sleeve.
5. Place the backbox in the recess. Do not deform the backbox.
6. Plaster in the backbox and ensure a straight, flush wall and distortion-free installation of the back box. Otherwise it may cause mechanical problems.
7. After finishing plasterwork and wall finishing remove the cardboard frame and attach the aluminum frame (2)!

Mounting in Cavity walls

1. Attach the aluminum frame (2) to the backbox (3) and bolt together the frame and the backbox with the included mounting screws (1) (3 x 20mm)
2. Prepare a recess in the wall (W/H/D: 8.46" / 12.00" / 2.95")
3. Remove the break-out for the cable exits on the backbox
4. Feed in the power leads through the hole in the back box . Use a suitable cable grip sleeve.
5. Place the backbox in the recess. Do not deform the backbox.
6. Cut some small thread gaps in the safety strips that cover the recess spaces for the mounting clips. Do not remove the safety strips! Feed the mounting clips into the recesses and screw them tight. Ensure a straight, flush wall and distortion-free installation of the flush box. Otherwise it may cause mechanical problems.