



iDock backbox

Installation instructions - Portrait

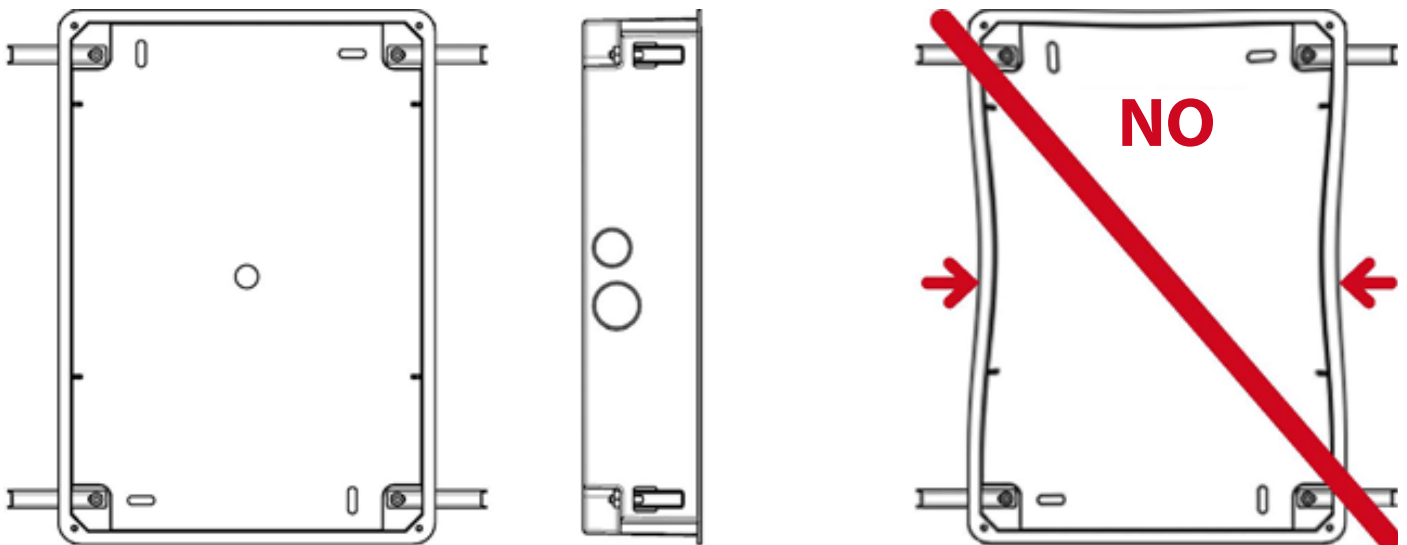
General information

During installation of the backbox (flush-mounted housing) the installer must execute an installation without deformation. Swelling mounting mediums should be avoided to minimize the risk of deformation. During installation the protective card has to be placed into the backbox.

Description of function

iRoom's iDock may only be used with the flush-mounted backbox. Operation without the backbox will void the warranty. Misuse of the backbox is prohibited.

Detailed diagram



Recess dimensions: W/H/D 8.07" / 11.61" / 2.56" - 205,0 / 295,0 / 65,0 mm
Outer dimensions – backbox: W/H/D 8.43" / 12.01" / 2.56" - 214,13 / 305,0 / 65,0 mm

Content

1 pcs. flush-mounted housing, 1 pcs. protective card, 1 pcs. cavity wall mounting set, 1 pcs. description • Packaging unit: 1 pcs. in carton box

Important assembly instruction for the iDock landscape

If you use the backbox with the iDock landscape you should run the cables from the top into the backbox!



iDock backbox

Installation instructions - Landscape

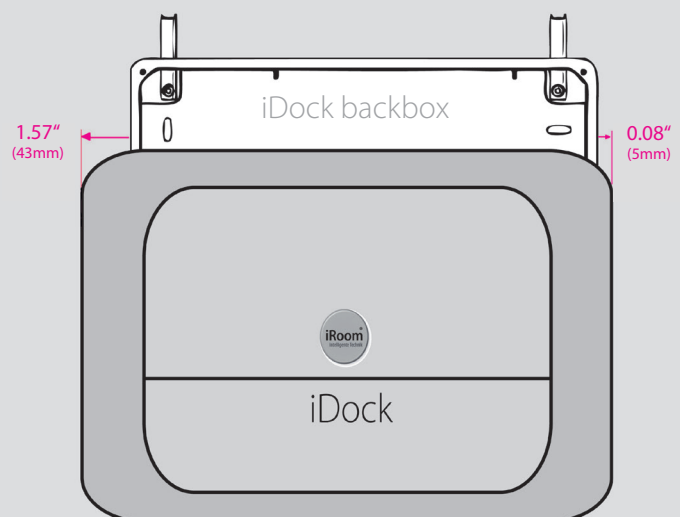
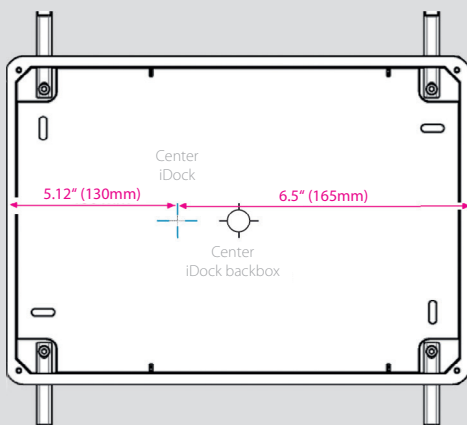
General information

During installation it is important to ensure the backbox has not been misshapen in any way! Excess blobs of cements and fillers must be removed to reduce the risk of deformation. The protective box must remain in the recess housing during installation to minimize deformation.

Description of function

The iRoom iDock may only be used in connection with this backbox! Starting and operating the device without this backbox shall lead to loss of guarantee rights. Use for purposes not intended by the manufacturer is forbidden.

Detailed diagram:



Recess dimensions:
W/H/D 8.07" / 11.61" / 2.56" - 295,0 / 205,0 / 65,0 mm
Outer dimensions – backbox:
W/H/D 8.43" / 12.01" / 2.56" - 305,0 / 214,13 / 65,0 mm

Important mounting information:

If you are using a backbox with the iDock Landscape (horizontal format), all leads must be fed in from above! Please note iDock Landscape should not be mounted in the middle of the recess box!



Leads enter from above!

